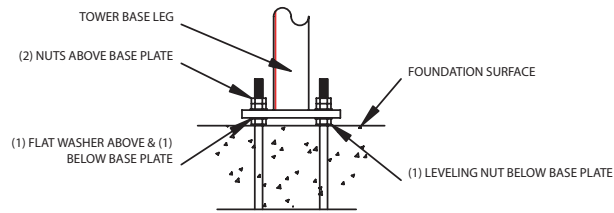
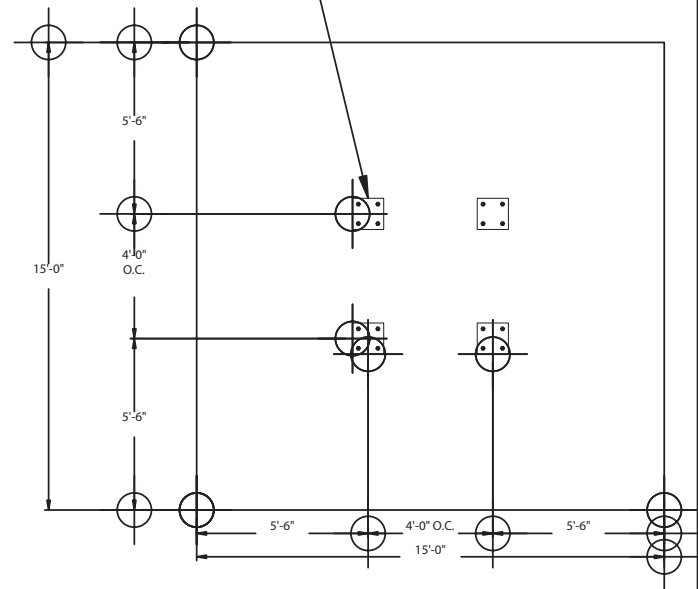


LET	REVISION	DATE	APP'D
-	INITIAL RELEASE	06/04/04	D.S.



TYPICAL LEG INSTALLATION
NOT TO SCALE

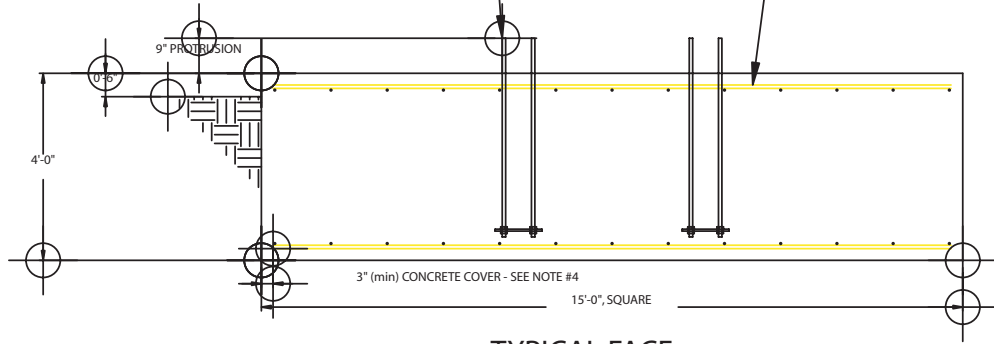
ANCHOR BOLT CLUSTER: (4) 1-1/4"Ø A307 ANCHOR BOLTS x 4'-3" LONG & 3/4" x 12" BEARING PLATE x 12" LONG; EACH ANCHOR BOLT SHALL INCLUDE (5) NUTS & (2) HARDENED FLAT WASHERS; CLUSTER IS TYPICAL (4) PLACES, AS SHOWN



PLAN VIEW
SCALE = 1:48

ANCHOR BOLT CLUSTER: (4) 1-1/4"Ø A307 ANCHOR BOLTS x 4'-3" LONG & 3/4" x 12" BEARING PLATE x 12" LONG; EACH ANCHOR BOLT SHALL INCLUDE (5) NUTS & (2) HARDENED FLAT WASHERS; CLUSTER IS TYPICAL (4) PLACES, AS SHOWN

(13) #7 HORIZONTALS x 14'-6" LONG; LOCATE 14-7/16" (+/-) O.C.; TOP & BOTTOM, EACH WAY; (52) TOTAL REQUIRED



TYPICAL FACE
SCALE = 1:32

NOTES:

1. FOUNDATION DESIGN IS BASED UPON 3,000psf SOIL CONDITION, AS OUTLINED BY TIA/EIA-222-F-1996.
2. ALL CONCRETE SHALL HAVE A MINIMUM COMPRESSIVE STRENGTH OF 3,000psi AT 28 DAYS.
3. ALL REINFORCING BAR (REBAR) SHALL BE DEFORMED AND CONFORM TO THE REQUIREMENTS OF ASTM-A615, USING GRADE 60 REBAR.
4. ALL REBAR SHALL HAVE A 3", MINIMUM, CONCRETE COVER.
5. FOUNDATION CONCRETE VOLUME = 33.4cu.yds.
6. ESTIMATED NET REBAR WEIGHT = 1,541lbs.

SWAGER COMMUNICATIONS INC. ANGOLA, INDIANA 46703			
THIS DRAWING IS THE PROPERTY OF SWAGER COMMUNICATIONS, INC. IT IS NOT TO BE REPRODUCED, COPIED, OR TRACED IN WHOLE, OR IN PART WITHOUT OUR WRITTEN CONSENT			
STANDARD DRAWING	SCALE NOTED	DWN APP'D	J.NEFF D.SWAGER
TITLE FOUNDATION DETAILS; SLAB OPTION		MODEL: RTR/GP-60SS	
DATE 06/04/04	DRAWING NUMBER RTR-60-F1		