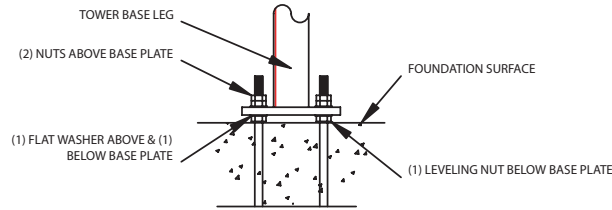
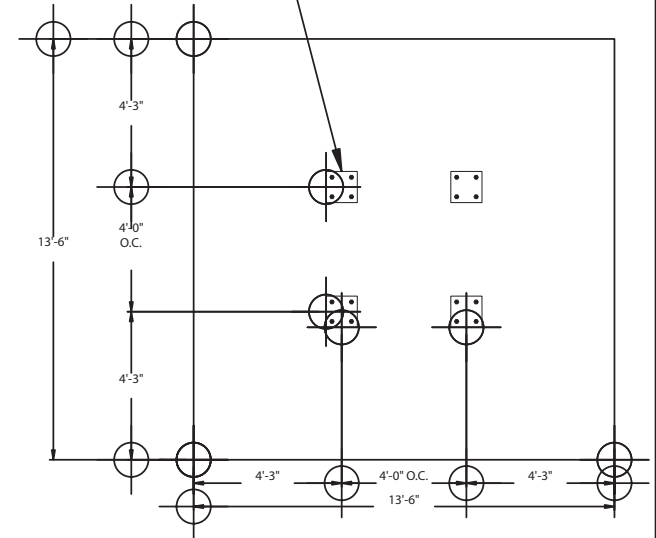


LET	REVISION	DATE	APP'D
-	INITIAL RELEASE	06/04/04	D.S.



TYPICAL LEG INSTALLATION
NOT TO SCALE

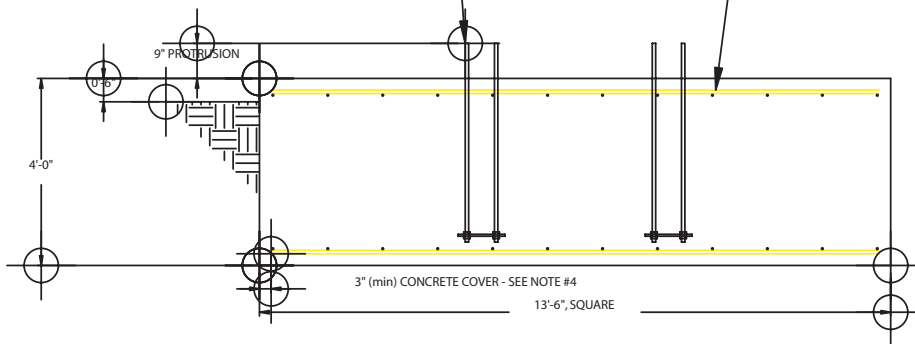
ANCHOR BOLT CLUSTER: (4) 1-1/4"Ø A307 ANCHOR BOLTS x 4'-3" LONG & 3/4" x 12" BEARING PLATE x 12" LONG; EACH ANCHOR BOLT SHALL INCLUDE (5) NUTS & (2) HARDENED FLAT WASHERS; CLUSTER IS TYPICAL (4) PLACES, AS SHOWN



PLAN VIEW
SCALE = 1:48

ANCHOR BOLT CLUSTER: (4) 1-1/4"Ø A307 ANCHOR BOLTS x 4'-3" LONG & 3/4" x 12" BEARING PLATE x 12" LONG; EACH ANCHOR BOLT SHALL INCLUDE (5) NUTS & (2) HARDENED FLAT WASHERS; CLUSTER IS TYPICAL (4) PLACES, AS SHOWN

(12) #7 HORIZONTALS x 13'-0" LONG; LOCATE 14-1/8" (+/-) O.C., TOP & BOTTOM, EACH WAY; (48) TOTAL REQUIRED



TYPICAL FACE
SCALE = 1:32

NOTES:

- FOUNDATION DESIGN IS BASED UPON 3,000psf SOIL CONDITION, AS OUTLINED BY TIA/EIA-222-F-1996.
- ALL CONCRETE SHALL HAVE A MINIMUM COMPRESSIVE STRENGTH OF 3,000psi AT 28 DAYS.
- ALL REINFORCING BAR (REBAR) SHALL BE DEFORMED AND CONFORM TO THE REQUIREMENTS OF ASTM-A615, USING GRADE 60 REBAR.
- ALL REBAR SHALL HAVE A 3", MINIMUM, CONCRETE COVER.
- FOUNDATION CONCRETE VOLUME = 27.0cu.yds.
- ESTIMATED NET REBAR WEIGHT = 1,275lbs.

SWAGER COMMUNICATIONS INC. ANGOLA, INDIANA 46703			
<small>THIS DRAWING IS THE PROPERTY OF SWAGER COMMUNICATIONS, INC. IT IS NOT TO BE REPRODUCED, COPIED, OR TRACED IN WHOLE OR IN PART WITHOUT OUR WRITTEN CONSENT</small>			
STANDARD DRAWING	SCALE NOTED	DWN J.NEFF	APP'D D.SWAGER
TITLE FOUNDATION DETAILS; SLAB OPTION		MODEL: RTR/GP-50SS	
DATE 06/04/04	DRAWING NUMBER RTR-50-F1		