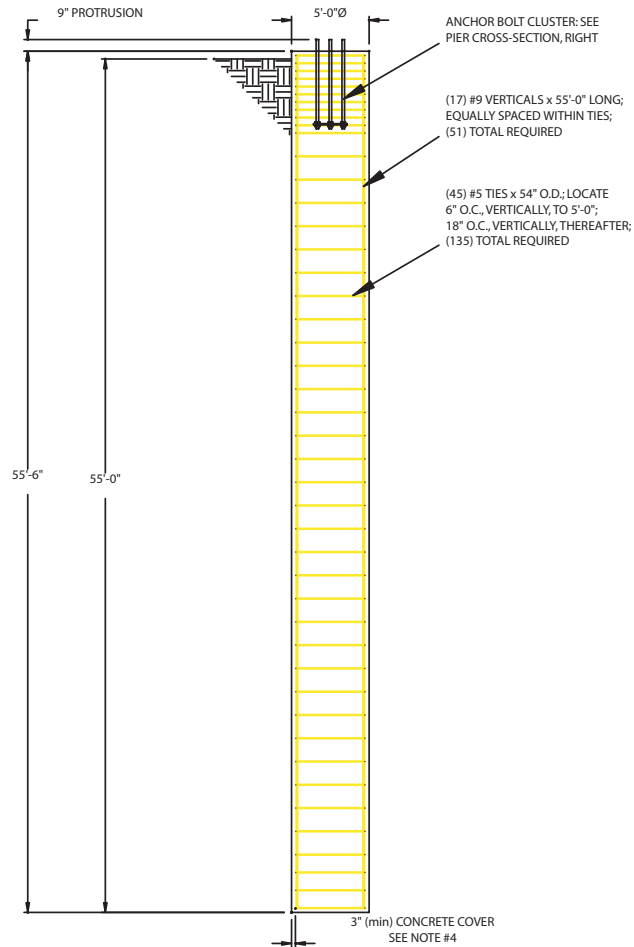


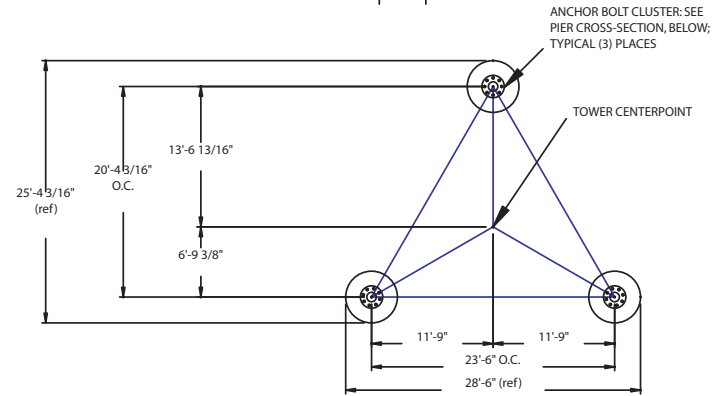
LET	REVISION	DATE	APP'D
-	INITIAL RELEASE	12/29/04	D.S.



CAISSON ELEVATION

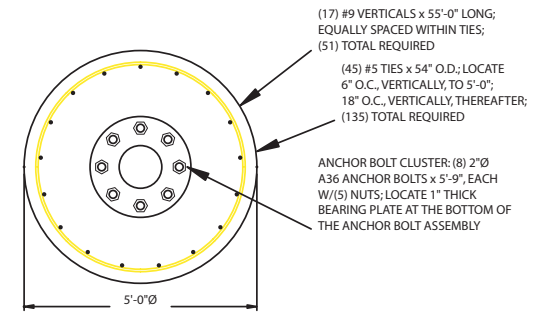
NOTES:

1. FOUNDATION DESIGN IS BASED UPON NORMAL SOIL CONDITION, AS OUTLINED BY TIA/EIA-222-F-1996. IT IS STRONGLY RECOMMENDED THAT SOILS TESTS BE PERFORMED, ON A BY-SITE BASIS, TO DETERMINE ADEQUACY OF THE DESIGN FOR THE ACTUAL SOIL CONDITION.
2. ALL CONCRETE SHALL HAVE A MINIMUM COMPRESSIVE STRENGTH OF 3,000psi AT 28 DAYS.
3. ALL REINFORCING BAR (REBAR) SHALL BE DEFORMED AND CONFORM TO THE REQUIREMENTS OF ASTM-A615, USING GRADE 60 REBAR.
4. ALL REBAR SHALL HAVE A 3", MINIMUM, CONCRETE COVER.
5. FOUNDATION CONCRETE VOLUME = 40.4cu.yds., EACH; (3) ARE REQUIRED.



FOUNDATION LAYOUT

SCALE = 1:144



CAISSON CROSS-SECTION

SCALE = 1:32

SWAGER COMMUNICATIONS INC. FREMONT, INDIANA 46737			
THIS DRAWING IS THE PROPERTY OF SWAGER COMMUNICATIONS, INC. IT IS NOT TO BE REPRODUCED, COPIED OR TRACED IN WHOLE OR IN PART WITHOUT OUR WRITTEN CONSENT			
STANDARD DRAWING	SCALE 1:96	DWN J.NEFF	APP'D D.SWAGER
TITLE MODEL: PA9M-300SS BASELINE FOUNDATION, OPTION #2			
DATE 12/29/04	DRAWING NUMBER PA9M-300-02 (2of2)		