

LEGS	2-1/2" Sch 40 PIPE	A500, Gr. B (50ksi)
HORIZONTALS	3/4"Ø SOLID ROUND	A36 (36ksi)
DIAGONALS	1-1/8"Ø SOLID ROUND, Z-BRACED	A36 (36ksi)

35ft (nom)
(34'-1 1/2" ACTUAL)

SECTION S5
(4'-10 1/2" ACTUAL)

10ft (nom)
(29'-3" ACTUAL)

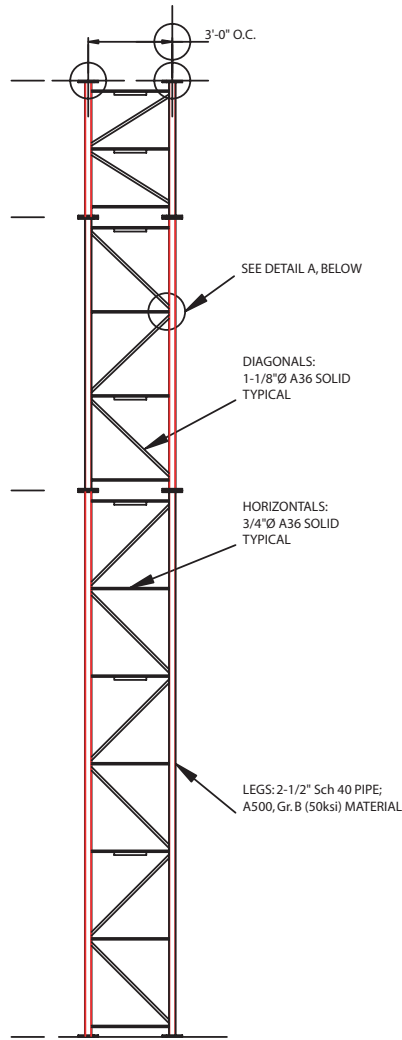
SECTION S10
(9'-9" ACTUAL)

20ft (nom)
(19'-6" ACTUAL)

SECTION S20
(19'-6" ACTUAL)

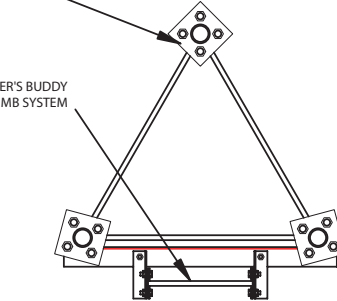
0ft

ELEVATION

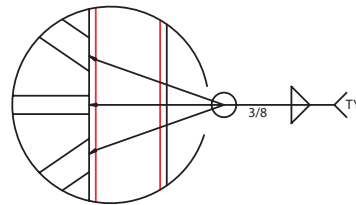


FLANGE BOLTS: USE (12)
7/8"Ø BOLTS x 3" LONG
TYPICAL EACH SECTION; LAYOUT
TO MATCH CUSTOMER'S DWG.
No. 950849

CLIMBING LADDER W/ CLIMBER'S BUDDY
ALUMINUM SAFETY-CLIMB SYSTEM



PLAN VIEW
SCALE = 1:20



DETAIL A
NOT TO SCALE

LET	REVISION	DATE	APP'D
-	INITIAL RELEASE	10/08/04	D.S.

NOTES:

- TOWER IS DESIGNED TO CONFORM TO THE REQUIREMENTS OF TIA/EIA-222-F-1996, WITH CONSIDERATIONS OF 100mph FASTEST-MILE WIND SPEED -OR- 120mph 3-SECOND GUST WIND SPEED PER IBC 2003 AND INDIANA BUILDING CODE, AND 1/2" RADIAL ICE WITH ALLOWABLE WIND LOAD REDUCTION.
- TOWER LOADING IS AS FOLLOWS:
 - (1) 656sq. in. GRID ANTENNA AT 29ft W/ 1/2" FEEDLINE
 - RELOCATABLE INTERNAL WORK PLATFORM AT 25ft; SEE NOTE #10.
 - (1) 656sq. in. GRID ANTENNA AT 15ft W/ 1/2" FEEDLINE
 - RELOCATABLE INTERNAL WORK PLATFORM AT 12ft; SEE NOTE #10.
 - EXTERNAL CLIMBING LADDER (OSHA COMPLIANT) WITH A CLIMBER'S BUDDY RIGID ALUMINUM RAIL SAFETY-CLIMB SYSTEM.
- ALL STRUCTURAL STEEL PIPE LEG MEMBERS SHALL CONFORM TO THE REQUIREMENTS OF ASTM-A500, Gr. B (50ksi YIELD STRENGTH MATERIAL); ALL ADDITIONAL STRUCTURAL STEEL PLATES, BARS, RODS, ANGLES, SHAPES, ETC., SHALL CONFORM TO THE REQUIREMENTS OF ASTM-A36 (36ksi YIELD STRENGTH MATERIAL).
- ALL STRUCTURAL STEEL MEMBERS SHALL BE HOT-DIPPED GALVANIZED, AFTER FABRICATION, AND CONFORM TO THE REQUIREMENTS OF ASTM-A123.
- ALL BOLTS AND BOLTED CONNECTIONS SHALL BE HOT-DIPPED GALVANIZED AND CONFORM TO THE REQUIREMENTS OF ASTM-A325.
- ALL WELDED CONNECTIONS SHALL CONFORM TO THE LATEST REVISED CODE OF THE AMERICAN WELDING SOCIETY: A.W.S. D1.1-96.
- FACTORY PAINT SHALL CONFORM TO THE LATEST REQUIREMENTS OF THE F.A.A. & SPECIFICATIONS.
- TOWER ANCHOR BOLT FOOTPRINT SHALL EQUAL THE EXISTING FOUNDATIONS, AS OUTLINED ON CUSTOMER-SUPPLIED DRAWING #950849.
- TOWER SECTIONS ARE AVAILABLE IN 20ft (SECTION S20), 10ft (SECTION S10), AND 5ft (SECTION S5) INCREMENTS.
- A RELOCATABLE, INTERNAL WORK PLATFORM IS AVAILABLE AS AN OPTION, AND SHOWN FOR DESIGN PURPOSES, ONLY.

SWAGER COMMUNICATIONS INC. ANGOLA, INDIANA 46703			
<small>THIS DRAWING IS THE PROPERTY OF SWAGER COMMUNICATIONS, INC. IT IS NOT TO BE REPRODUCED, COPIED, OR TRACED IN WHOLE, OR IN PART WITHOUT OUR WRITTEN CONSENT</small>			
STANDARD DRAWING	SCALE 1:56	DWN J.NEFF	APP'D D.SWAGER
	MODEL: PWR36-50GS		
35ft GLIDE SLOPE TOWER ELEVATION			
DATE 10/08/04	DRAWING NUMBER GLSP-04-02		